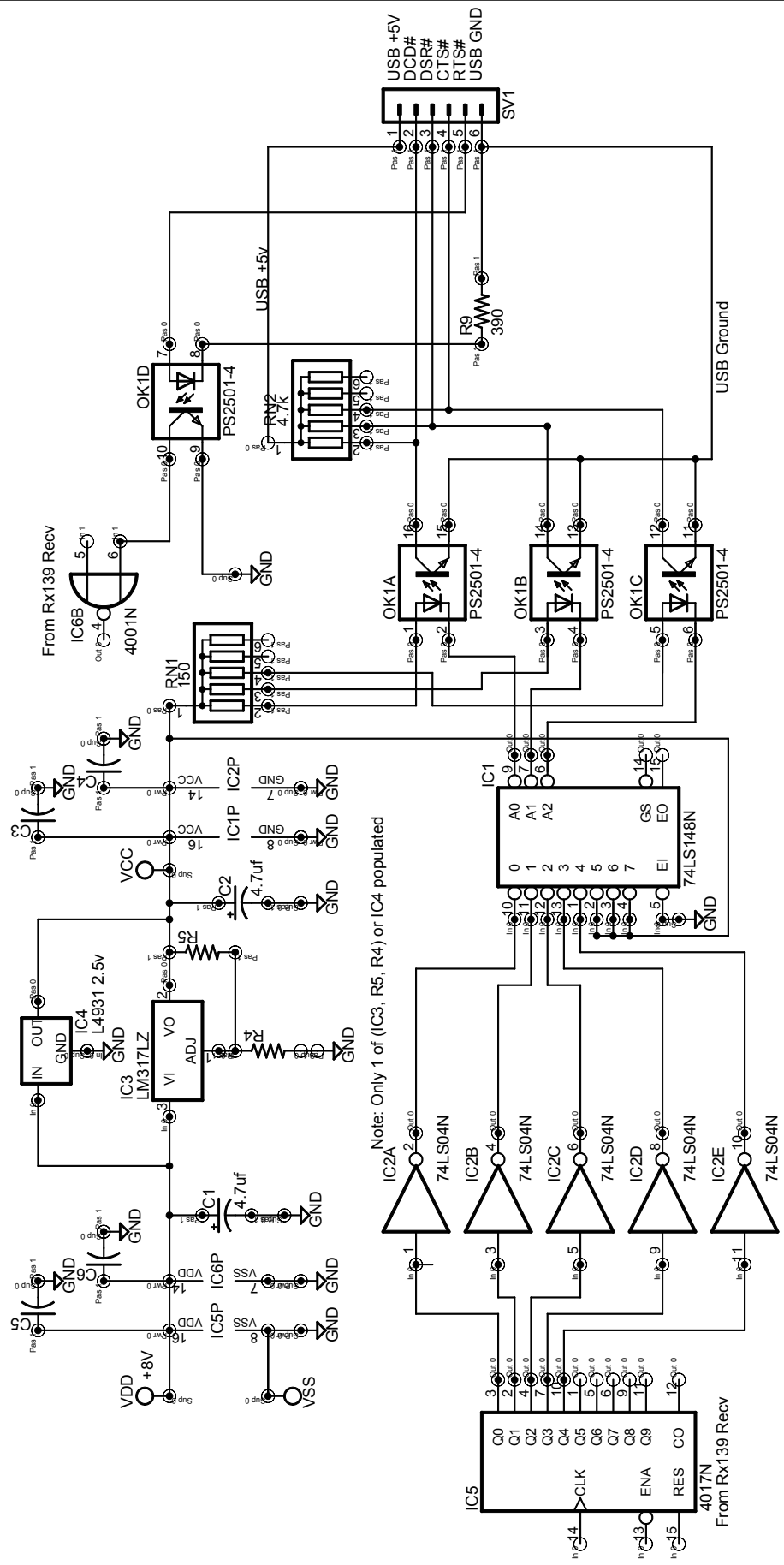


RX 139 USB Control Board



Note: Only 1 of (IC3, R5, R4) or IC4 populated

1/1 Sheet:	7/09/2005 11:07:50p	Date:
REV:	Document Number:	
	wjt-wxmod3	TITLE:
(C) Copyright Bill Tracey, 2005		

