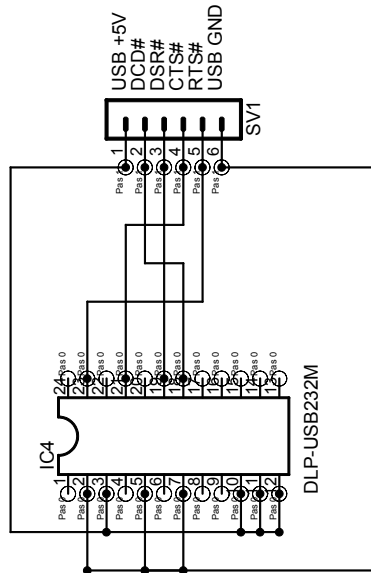


RX 139 USB Control Board



1/1 Sheet:	not saved!	Date:
REV:	Document Number:	
	usb	TITLE: